

Standard Package

www.fiberfox.co.kr

Mini 12R+

The Smallest Ribbon Splicer



- 1 MINI 12R+ Splicer 4 Power Cord 7 Car Cigar Cable 10 SOC Heater Block 13 Shoulder Strap 16 Hot Jacket Stripper
- 2 Cleaver Softcase 5 USB Cable 8 Cooling Tray 11 SOC Holder 14 User Manual CD 17 A/C Adapter for Stripper
- 3 MINI 50GB+ Cleaver 6 AC Adapter 9 Spare Electrode 12 2 Battery Packs 15 Hand Carrying Case

Optical Fiber Fusion Splicer Mini12R+
AC Adapter, Ac Power Cord, Spare Electrodes(1 Pair)
Battery Pack, Cleaver Mini50GB, Connector Holder
Connector Heater Block, DC Power Cord, USB Cable
User Manual, Protection Sleeves(100 Nos.), Cooling Tray
Hard Carrying Case, Shoulder Strap, Hot Jacket Stripper
FH-250, FH-900, FH-2, FH-4, FH-6, FH-8 and FH-12

Specifications

Applicable Fibers	SMF(G.652/657), MMF(G.651), DSF(G.653), NZDSF(G.655)
Fiber Count	Single to 12, 8, 6, 4, 2 Ribbon Fiber
Cladding dia./Sheath dia.	Single : 125 / 160 to 3mm by Fiber Holder System Ribbon : 125 / Ribbon Fibre Thickness 0.25 to 0.4mm
Cleave Length	10-13mm
Splice Mode/Heating Mode	140 Splice Modes / 38 Heating Modes
Typical Splice Loss	0.05dB(SM), 0.02dB(MM), 0.08dB(DS), 0.08dB(NZDS) and 0.05dB(G.657) Measured by cut - back method relevant ITU-T and IEC standards
Splice Time/Tube Heating Time	Typical 15 Sec/ Typical 20 Sec
Splice Result	5000 latest records saved
Viewing Methods/Magnification	2 CCD camera system / 33X and 60X Magnification
Applicable Protection Sleeve	60MM, 40MM
No. of splice/Heating Per Battery	typical 150 Cycles(splice & Heat) / single battery <2 Batteries Standard> / OUT PUT 11.1V 5200mAh
Electrode life	3,000 splices
LCD Screen	4.3" Colour Super Clear Touch Screen with Temper Proof Glass
Optical System	No Mirror Type (LED*2)
Illumination	1 White LED
Size/Weight	124 X 123.2 X 138 / 1.32kg without Battery
Operating Environment	Elevation 0 to 5000 meters, -10°C to 50°C , 0 to 95% Humidity
Storage Condition	Temperature -20 to 60°C , 0 ~95% Relative humidity, Battery -20~40°C
Pull Test	1.96 to 2.25N (Standard)
Terminals	USB 2.0 (Mini-B Type) Connector for PC Communication



The Smallest Ribbon Splicer

1.32
kg

300
cycles

15
sec

0.05
dB

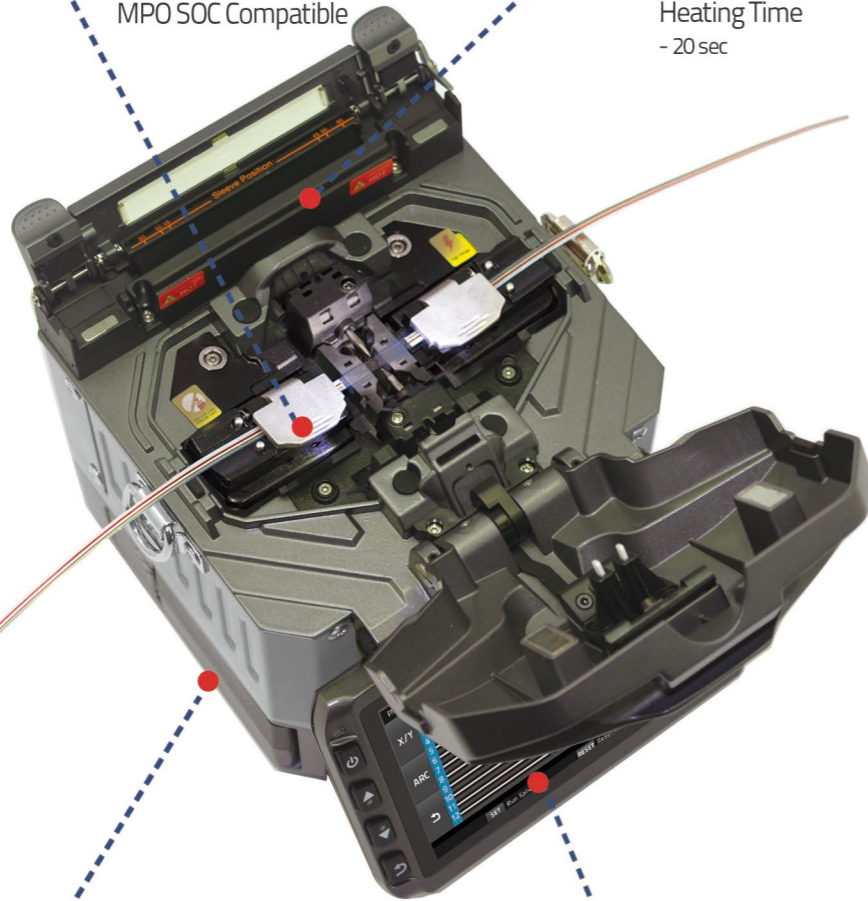
Characteristic



MPO SOC Compatible



Heating Time
- 20 sec



Mini
12R+

1.32kg
(Without Battery)

124 x 123.2 x 138 mm



Two Batteries are Included in Standard Package
- 300 cycles (splicing & heating) with Two Batteries

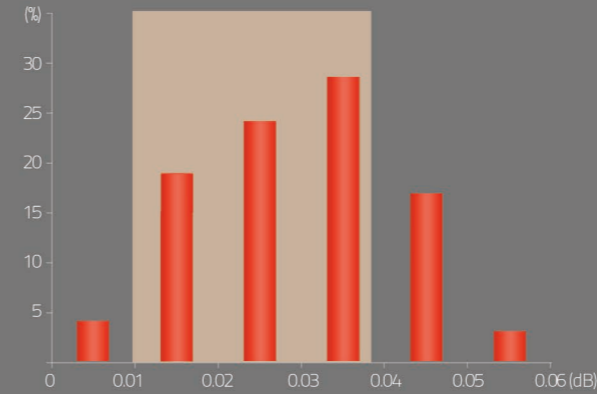


Full Touch Screen
- GUI Interface
- Tempered Glass

01

Performance

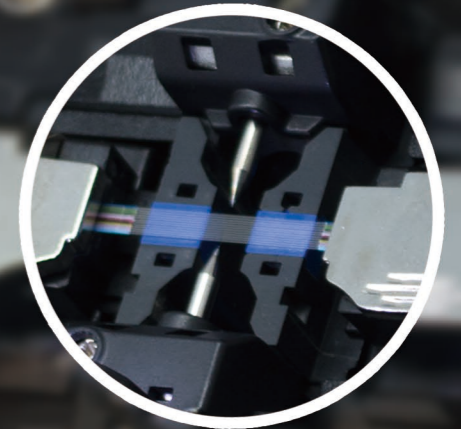
Guaranteed Stability and Splicing Performance



0.01 ~ 0.04dB : 80 (%)

02

The Fastest Splicing Time



15sec
with 12 fiber

03

Durability

Anti-shock

1meter



Dustproof



Waterproof



04

Reliability

Perfect performance under any environmental conditions



Temperature
-15~60°C



Relative humidity
0~95%



Elevation
0~5000meter



The max wind speed
15m/s

Compliant with IEC Standard